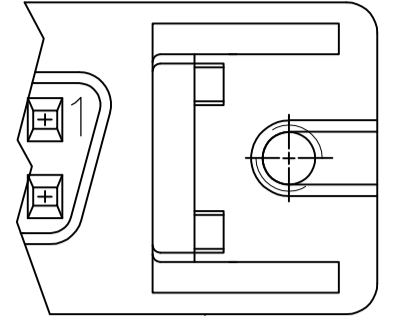
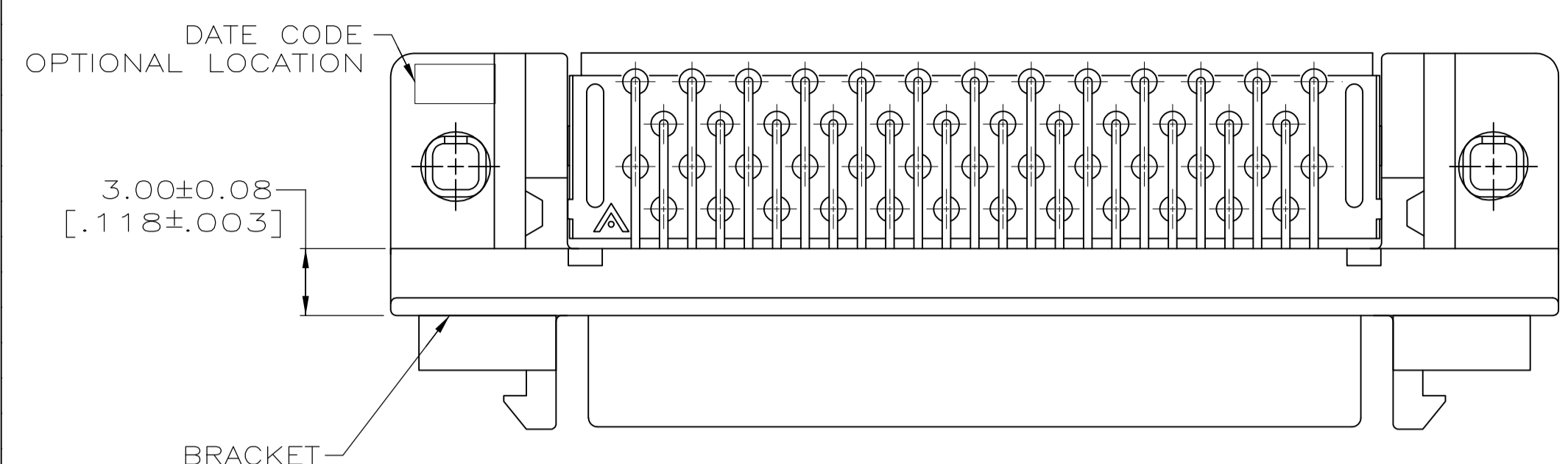
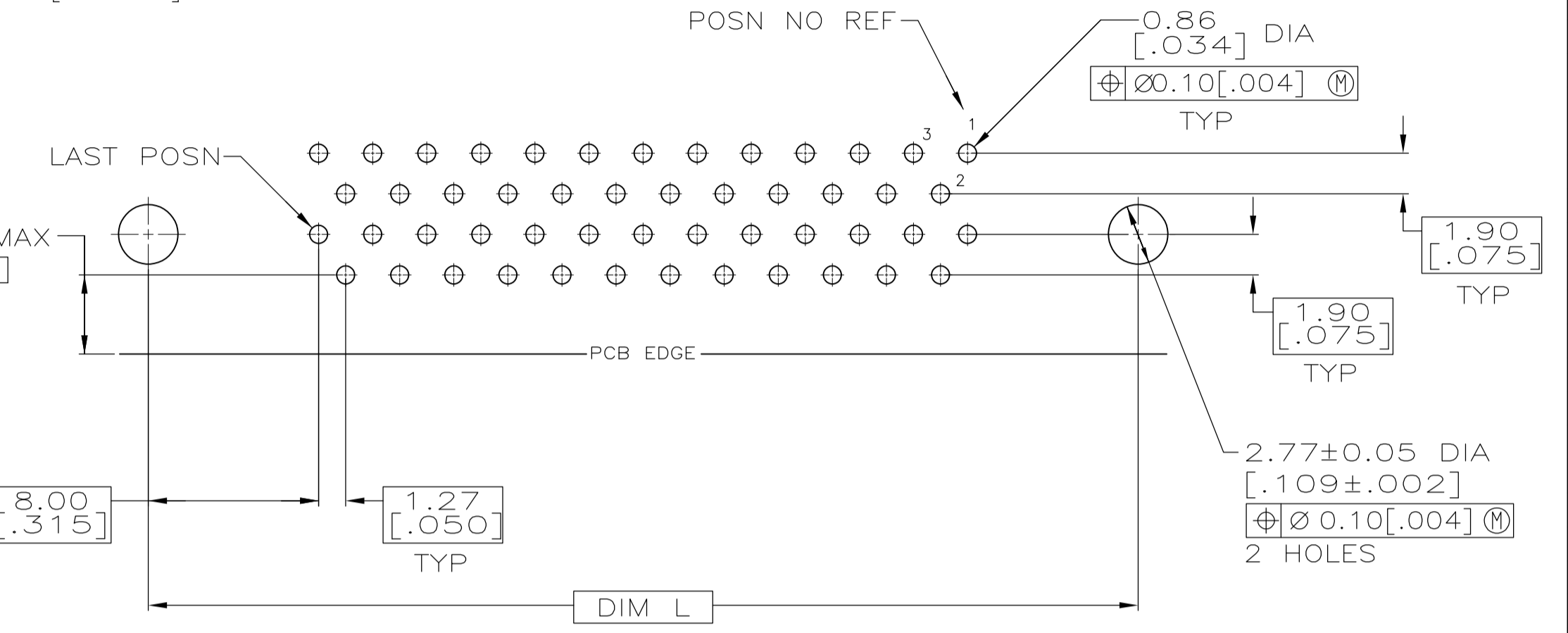
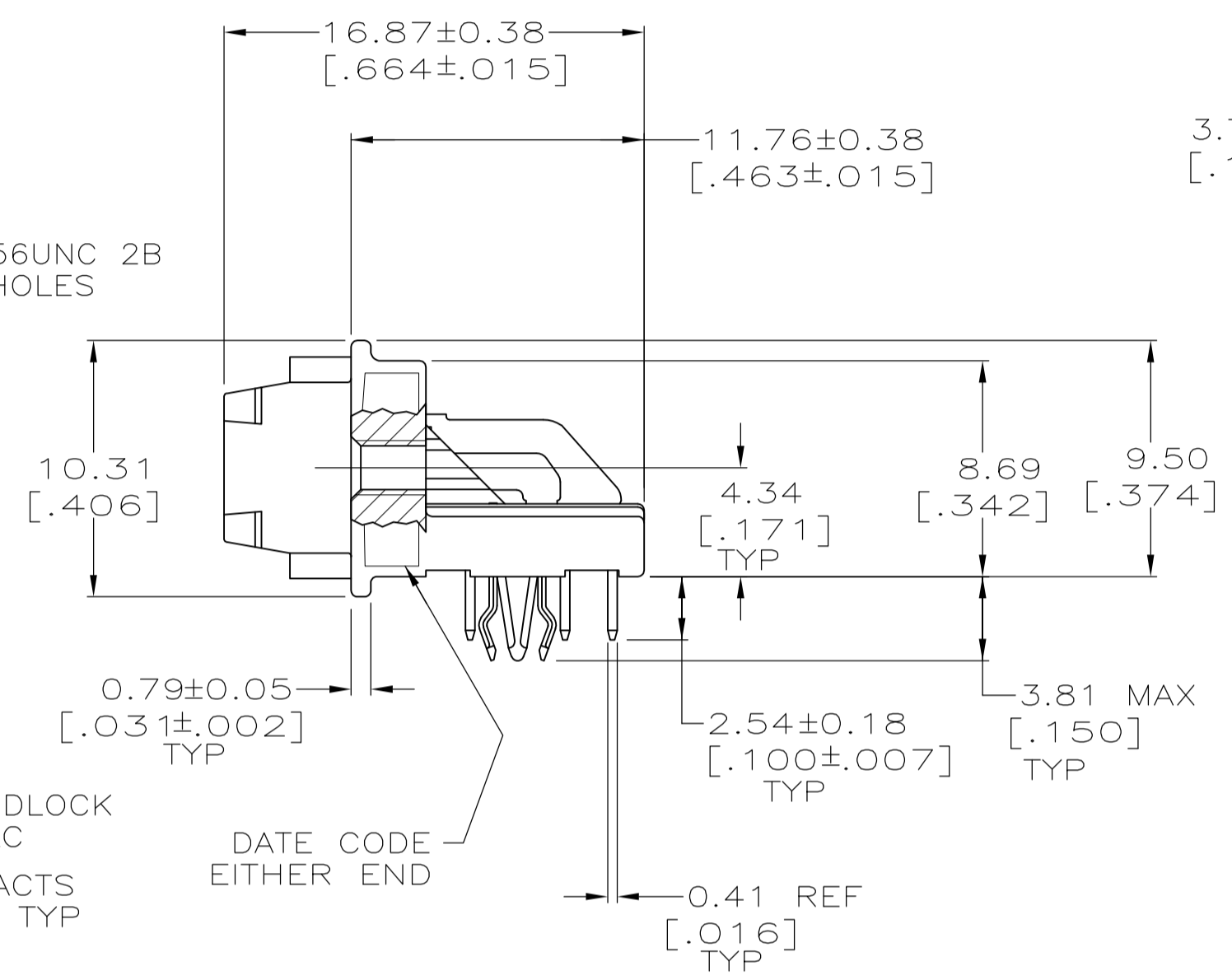
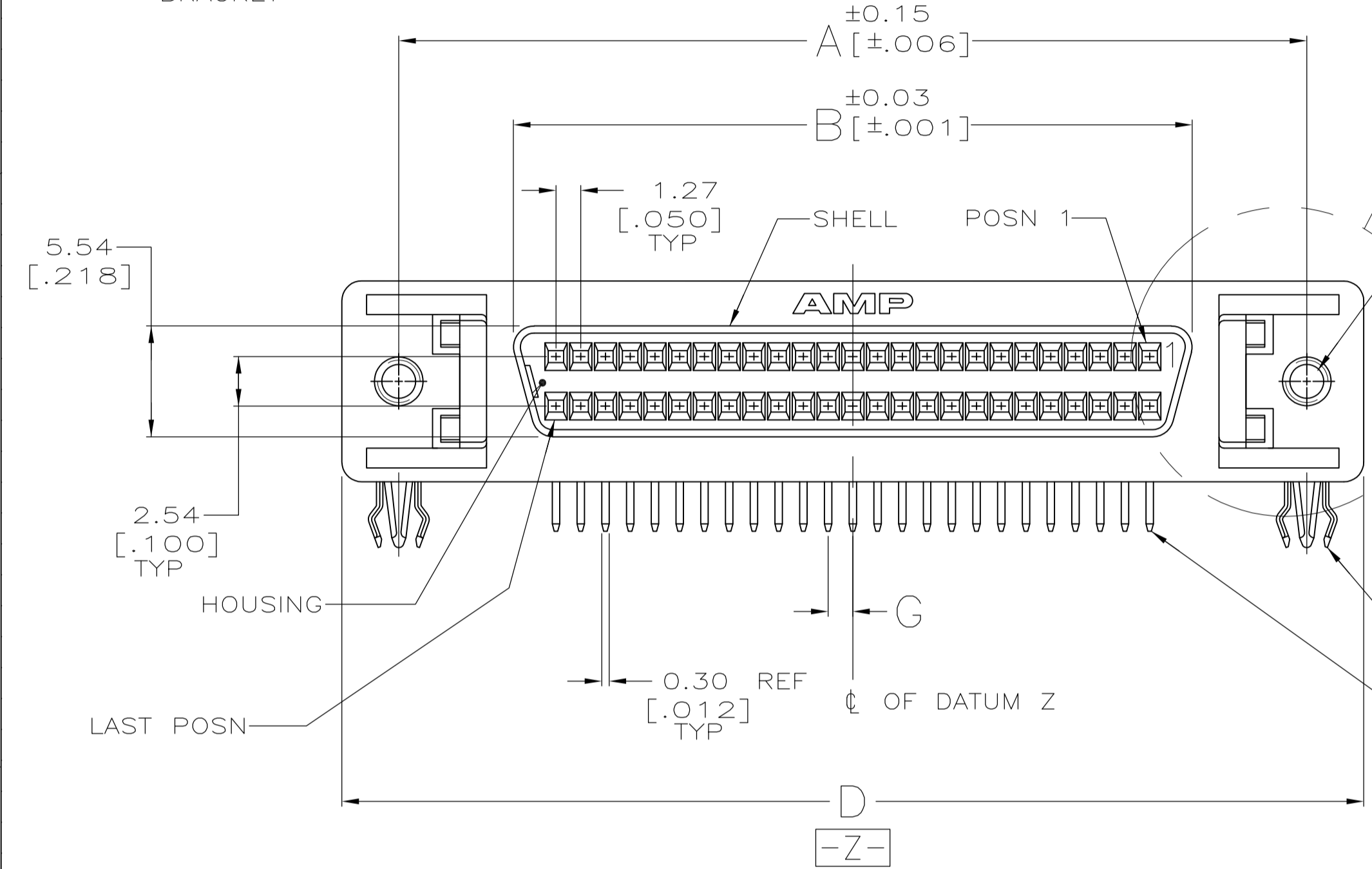


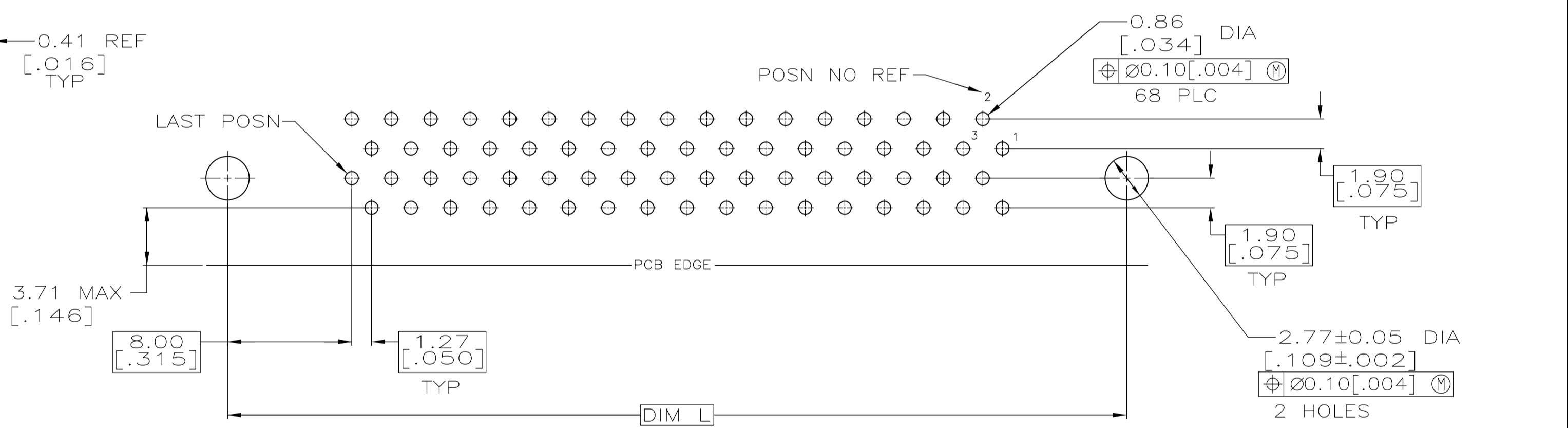
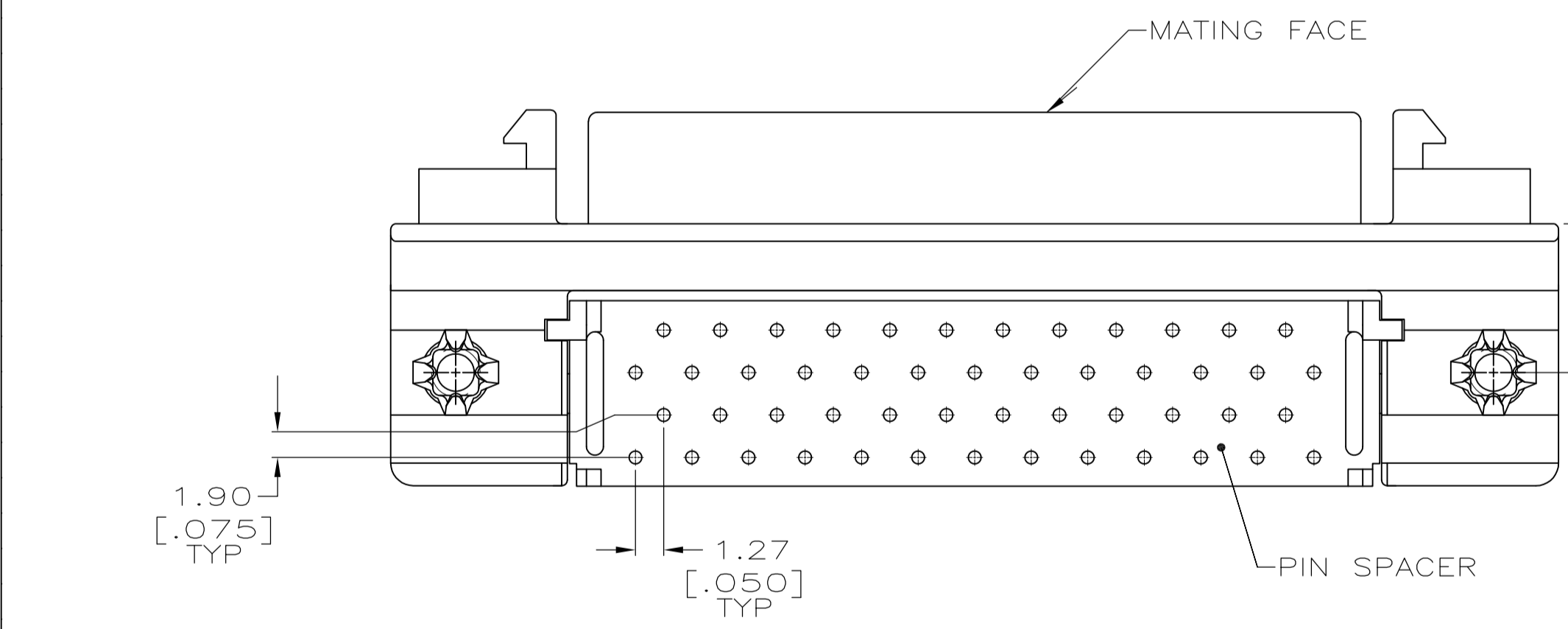
LOC	DIST	REVISIONS			
GP	00	REV	DESCRIPTION	DATE	BY
Z1		REVISED PER ECO-11-004835		11MAR11	RK HMR



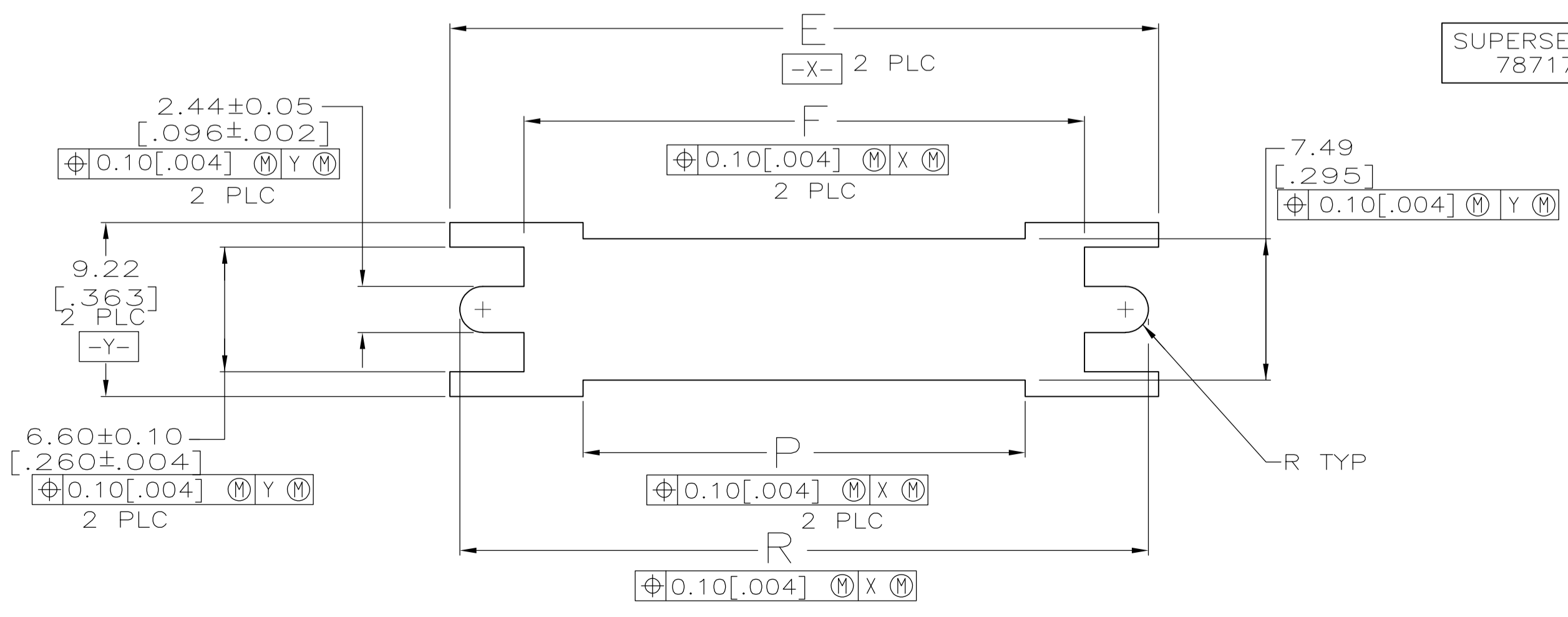
ALTERNATE BRACKET DESIGN TYP



P.C. BOARD MOUNTING DIMENSIONS CONNECTOR SIDE  
P.C. BOARD THICKNESS 1.57±0.20 [.062±.008]  
PC BOARD PATTERN S



P.C. BOARD MOUNTING DIMENSIONS CONNECTOR SIDE  
P.C. BOARD THICKNESS 1.57±0.20 [.062±.008]  
PC BOARD PATTERN T



RECOMMENDED PANEL CUTOUT

SUPERSEDED BY 787171-5

TUBE	FINISH	PC BOARD PATTERN	R	P	L	G	F	E	D	B	A	NO OF POS	PART NUMBER
TUBE	4	T	60.35 [2.376]	47.85 [1.884]	57.91 [2.280]	0.64 [.025]	54.23 [2.135]	61.98 [2.440]	63.88 [2.515]	46.13 [1.816]	57.91 [2.280]	68	1-787171-6
TRAY	3	S	48.92 [1.926]	36.42 [1.434]	46.48 [1.834]	1.27 [.050]	42.80 [1.685]	50.55 [1.990]	52.45 [2.065]	34.70 [1.366]	46.48 [1.830]	50	1-787171-5
TUBE	3	T	80.67 [3.176]	68.17 [2.684]	78.23 [3.080]	0.64 [.025]	74.55 [2.935]	82.30 [3.240]	84.20 [3.315]	66.45 [2.616]	78.23 [3.080]	100	787171-9
TUBE	3	T	60.35 [2.376]	47.85 [1.884]	57.91 [2.280]	0.64 [.025]	54.23 [2.135]	61.98 [2.440]	63.88 [2.515]	46.13 [1.816]	57.91 [2.280]	68	787171-7
TUBE	3	S	48.92 [1.926]	36.42 [1.434]	46.48 [1.834]	1.27 [.050]	42.80 [1.685]	50.55 [1.990]	52.45 [2.065]	34.70 [1.366]	46.48 [1.830]	50	787171-5
TUBE	3	T	42.57 [1.676]	30.07 [1.184]	40.13 [1.580]	0.64 [.025]	36.45 [1.435]	44.20 [1.740]	46.10 [1.815]	28.35 [1.116]	40.13 [1.580]	40	787171-4
TUBE	3	S	33.68 [1.326]	21.18 [.834]	31.24 [1.230]	1.27 [.050]	27.56 [1.085]	35.31 [1.390]	37.21 [1.465]	19.46 [.766]	31.24 [1.230]	26	787171-2

THIS DRAWING IS A CONTROLLED DOCUMENT.

DIN: D. BROCKWAY 4-25-94  
 CHK: R. STONE 4-28-94  
 APVD: F. McCORKEL 4-28-94

PRODUCT SPEC: 108-1228  
 APPLICATION SPEC: 114-40029

WEIGHT: -  
 CUSTOMER DRAWING

SCALE: 4:1 SHEET 1 OF 1 REV Z1

STE TE Connectivity

RECEPTACLE ASSEMBLY, SHIELDED, RIGHT ANGLE, RAILED, TM